



Features & Options

- Available with a CO₂ Equivalent Output (CO₂e) or a Total VOC Output (TVOC)
- Field-Selectable 0 to 5 or 0 to 10 VDC Output

The quality of the air that we breathe is essential to our health and knowing the air quality level is the first step to improving it. BAPI's VOC sensors provide that critical air quality information.

The CO₂ equivalent (CO₂e) units combine the benefits of VOC sensors and the common application of CO₂ sensors into one unit. It provides a VOC reading that correlates to a typical indoor CO₂ level of 0 to 2,000 ppm. This allows the sensor's output to be used for ASHRAE's CO₂-based VRP ventilation schedule.

The total VOC (TVOC) units provide a VOC reading that is the total concentration of all VOCs present in the space within a range of 0 to 2,500 ppb. This is often needed to meet 3rd party building certifications that require separate CO₂ and VOC readings.

Additional information on VOCs and using the CO₂e units in your ventilation strategy is available on our website and in the Air Quality section of our catalog.

A 60mm mounting base is available to fit European style junction boxes.



CO₂e Unit with Standard Mounting Base

(includes cover LEDs for air quality levels of “Good”, “Fair” and “Poor”.)

TVOC Unit with 60mm Mounting Base

(cover LEDs not available for TVOC units.)

Specifications

Power: (Half-wave rectified)

12 to 24 VDC, 35 mA max • 18 to 24 VAC, 4 VAm_{ax}

CO₂e Unit Detection Range: 0 to 2,000 ppm CO₂ equivalent

TVOC Unit Detection Range: 0 to 2,500 ppb

Sensing Element: Micro-machined metal oxide

Start-Up Time: 15 minutes

Response Time: <60 sec (after start-up time)

Cover LEDs for CO₂e Models (not available on TVOC Models):

Good, Green < 1,000 PPM

Fair, Yellow = 1,000 to 1,500 PPM

Poor, Red > 1,500 PPM

Selectable Output: 0 to 5 or 0 to 10 VDC > 4KΩ impedance

Wiring: 3 wires, 16 to 22 AWG

Operating Environment:

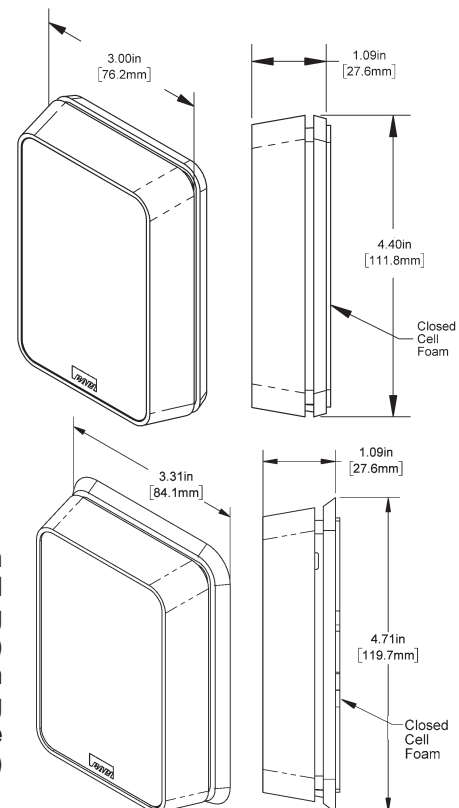
32 to 122°F (0 to 50°C)

5 to 95%RH non-condensing

Enclosure Material: ABS plastic, UL94, V-0

Mounting: Standard 2”x4” junction box, European junction box or drywall (screws provided)

Agency: CE EN 61326-1:2013 EMC, UL, RoHS



Unit with standard Mounting Base (top) and 60mm Mounting Base (bottom)





Ordering Information:

Units with CO₂ Equivalent (CO₂e) Output

Part #	Description
BA/BQX-A	BAPI-Stat “Quantum” VOC (CO ₂ e), 0 to 5V Output, Standard Mounting Base
BA/BQX-B	BAPI-Stat “Quantum” VOC (CO ₂ e), 0 to 10V Output, Standard Mounting Base
BA/BQX60-A	BAPI-Stat “Quantum” VOC (CO ₂ e), 0 to 5V Output, 60mm Mounting Base
BA/BQX60-B	BAPI-Stat “Quantum” VOC (CO ₂ e), 0 to 10V Output, 60mm Mounting Base

Units with Total VOC (TVOC) Output

Part #	Description
BA/BQX-T-A-BNK	BAPI-Stat “Quantum” TVOC, 0 to 5V Output, Standard Mounting Base
BA/BQX-T-B-BNK	BAPI-Stat “Quantum” TVOC, 0 to 10V Output, Standard Mounting Base
BA/BQX60-T-A-BNK	BAPI-Stat “Quantum” TVOC, 0 to 5V Output, 60mm Mounting Base
BA/BQX60-T-B-BNK	BAPI-Stat “Quantum” TVOC, 0 to 10V Output, 60mm Mounting Base

